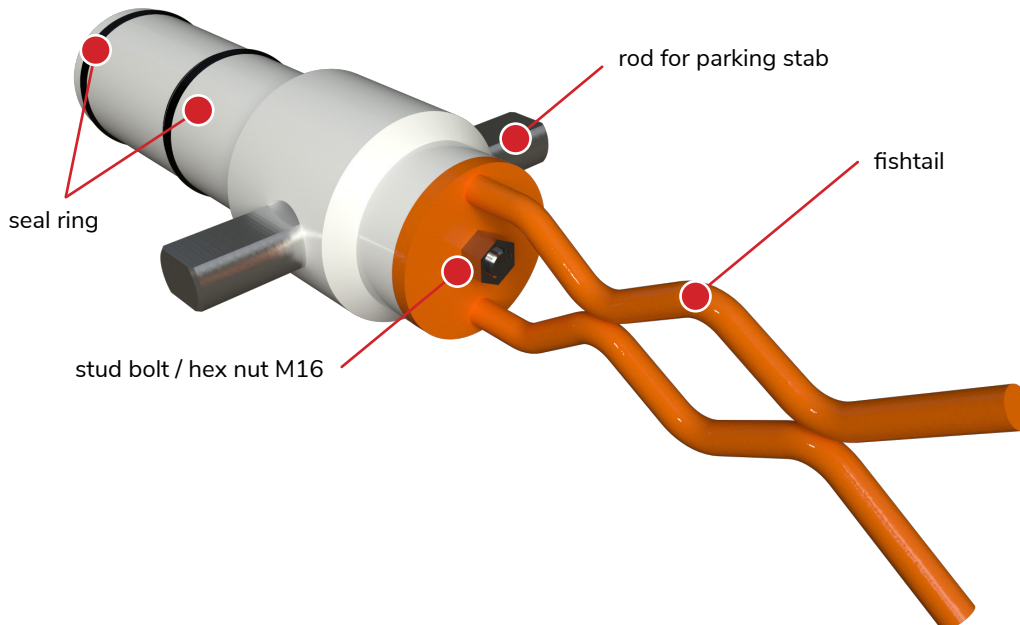
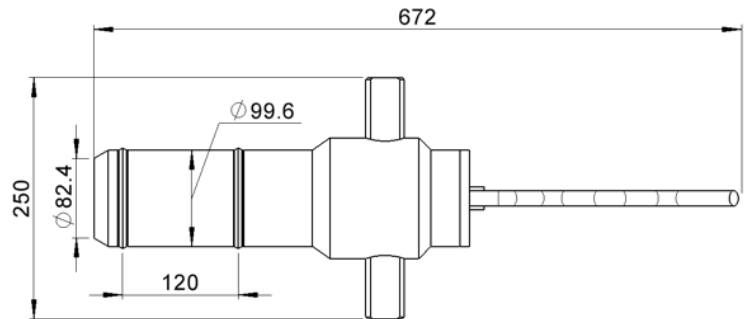


FEATURES & BENEFITS

SubseaDesign's 3-inch dummy hot stab will seal the receptacle within the system for use in subsea operations or testing. The dummy stab is equipped with a fishtail for easy access and mechanical operations by ROV. Fishtail is painted orange for ROV visibility.

Height	672 mm
Width	250 mm
Weight	8.5 kg
Max. water depth	No limitation
Material	POM
Material bolt and nut	Stainless steel (A4-80)
Material fishtail & rod	SuperDuplex



visit product page

