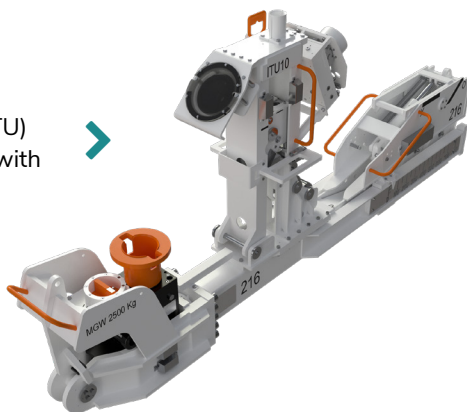


## HEAVY DUTY ROPE TENSIONER FOR BOP TETHERING

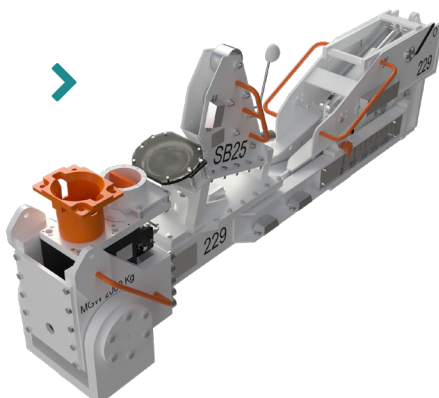
The Linear Rope Tensioner (LRT) is a rope tensioner with capability to continuously pull excess length of wire before application of final pretension.

The tensioner is designed for subsea use in the Wellhead Load Relief (WLR) system.

LRT with Initial Tension Unit (ITU) ROV operated with hydraulic initial tensioning

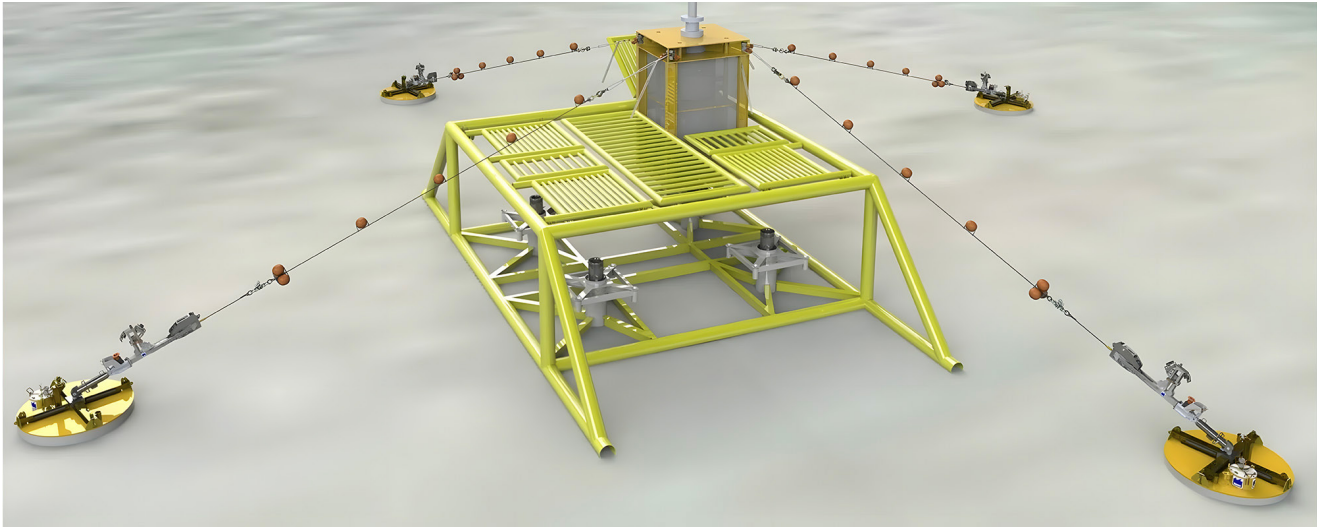


LRT with Snatch Block (SB) ROV operated with rig assisted initial tensioning



## FEATURES & BENEFITS

- ✓ Capability to continuously pull excess length of wire, significantly reducing the rig time for BOP tethering
- ✓ Provides flexibility in adjusting length of wire required for each tension line which overcomes the need to have several lengths of adjustment wire
- ✓ Integrated load monitoring
- ✓ Final pretension application using Subsea-Designs' drive screw system
- ✓ Interfaces with standard guide pods for templates, clump weights and suction anchors



## TECHNICAL DATA

Load limits	Ultimate load limit: 700kN Accidental load limit: 1050kN
Maximum tension by ROV Class 4 torque tool	300kN with a torque of 2700Nm
Maximum stroke	500mm or 800mm
Load display	Analog load monitor
Wire dimension	Project specific, typically $\varnothing 36\text{mm}$ or $\varnothing 40\text{mm}$
MGW	1700kg – wet weight 2000kg – dry weight
Dimensions – Linear Rope Tensioner with Initial Tension Unit	3100x425x1550mm
Dimensions Linear Rope Tensioner with Snatch Block	3100x425x1000mm
Operational hydraulic pressure	210 bar

visit product page

