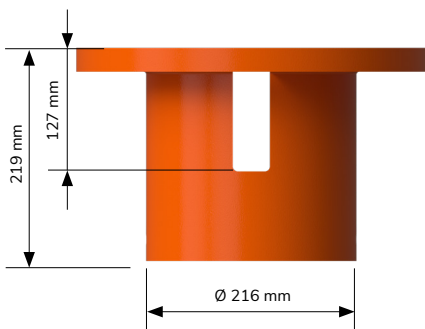
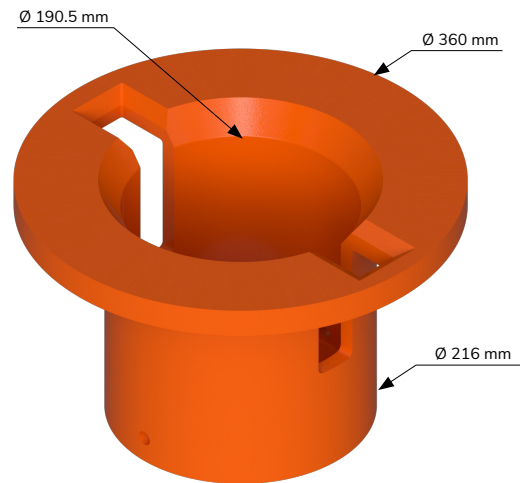
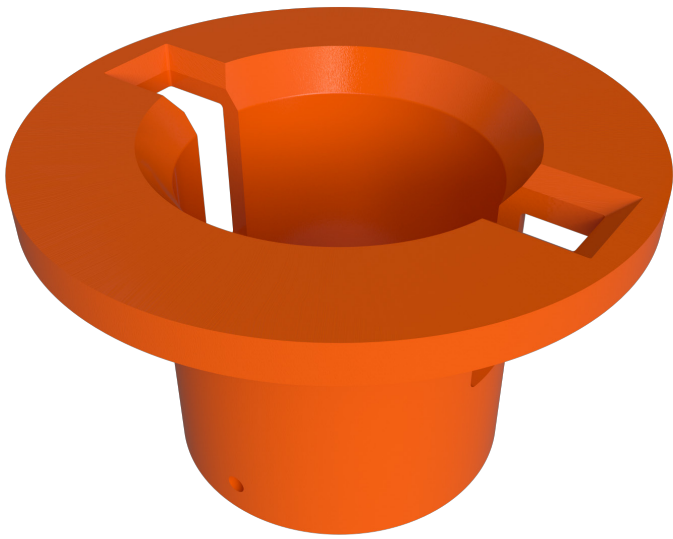
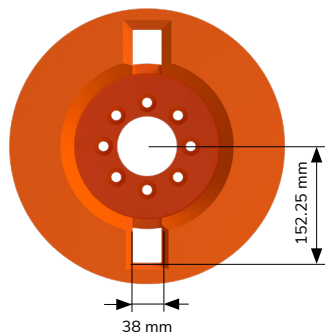


TECHNICAL DATA

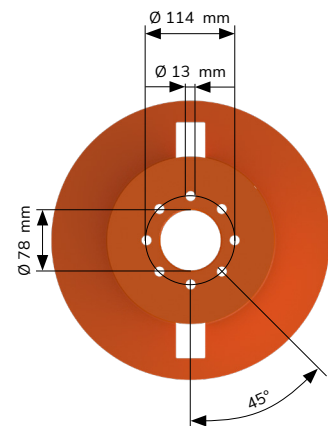
Design code	ISO 13628-8
Size pipe	216 mm diameter
Height	219 mm
Width	360 mm
Weight	23.5 kg
Coating	Xylan



FRONT VIEW



TOP VIEW



BOTTOM VIEW

visit product page

